

GEO

DSLR CRASH HOUSING

Our DSLR Crash Housing was designed to protect the sensitive CMOS sensor and recorder from impact. The outer front and sides are 1/2" aluminum and the inner box is a molded resin Pelican case which has its own impact absorbing qualities. The inside is a CNC cut out which cradles the camera and lens in an impact absorbing foam.



Features include:

- 3/8-16 tie points on all sides.
- 4" X 4" Removable rear access panel.
- Custom foam inserts for a variety of camera bodies.
- A variety of snoot sizes to accommodate different lenses.

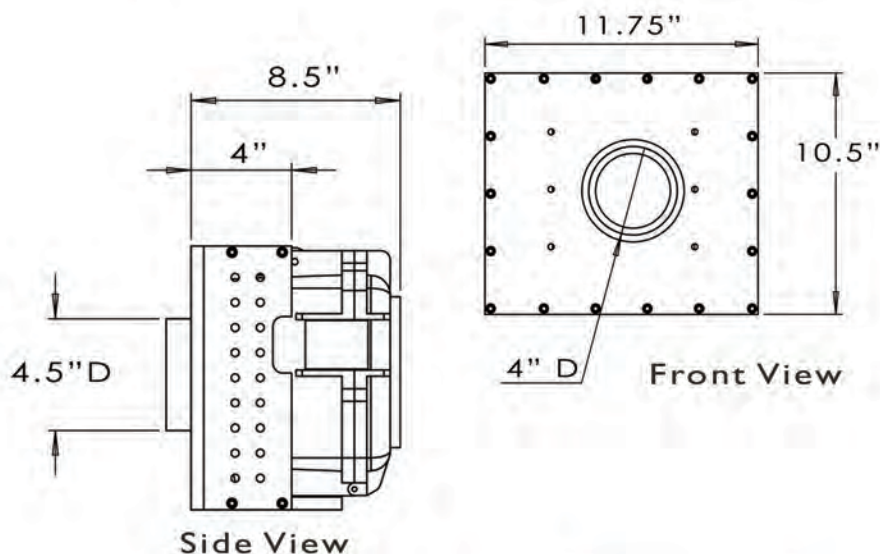
Designed for DSLR Cameras

Specs:

8.5"L X 11.75"W X 10.5"H

4" Diameter Lens Port

*Protected with 4 1/2" Round Lexan with Room for 2 Additional 4 1/2" Round Filters



Shown with Canon 1DC
Foam Insert

GEO Los Angeles, LLC
7625 Hayvenhurst Avenue
Suite 49
Van Nuys, California 91406
Phone: (818) 376 6680
Fax: (818) 376 6686
www.geofilm.com

GEO
LOS ANGELES